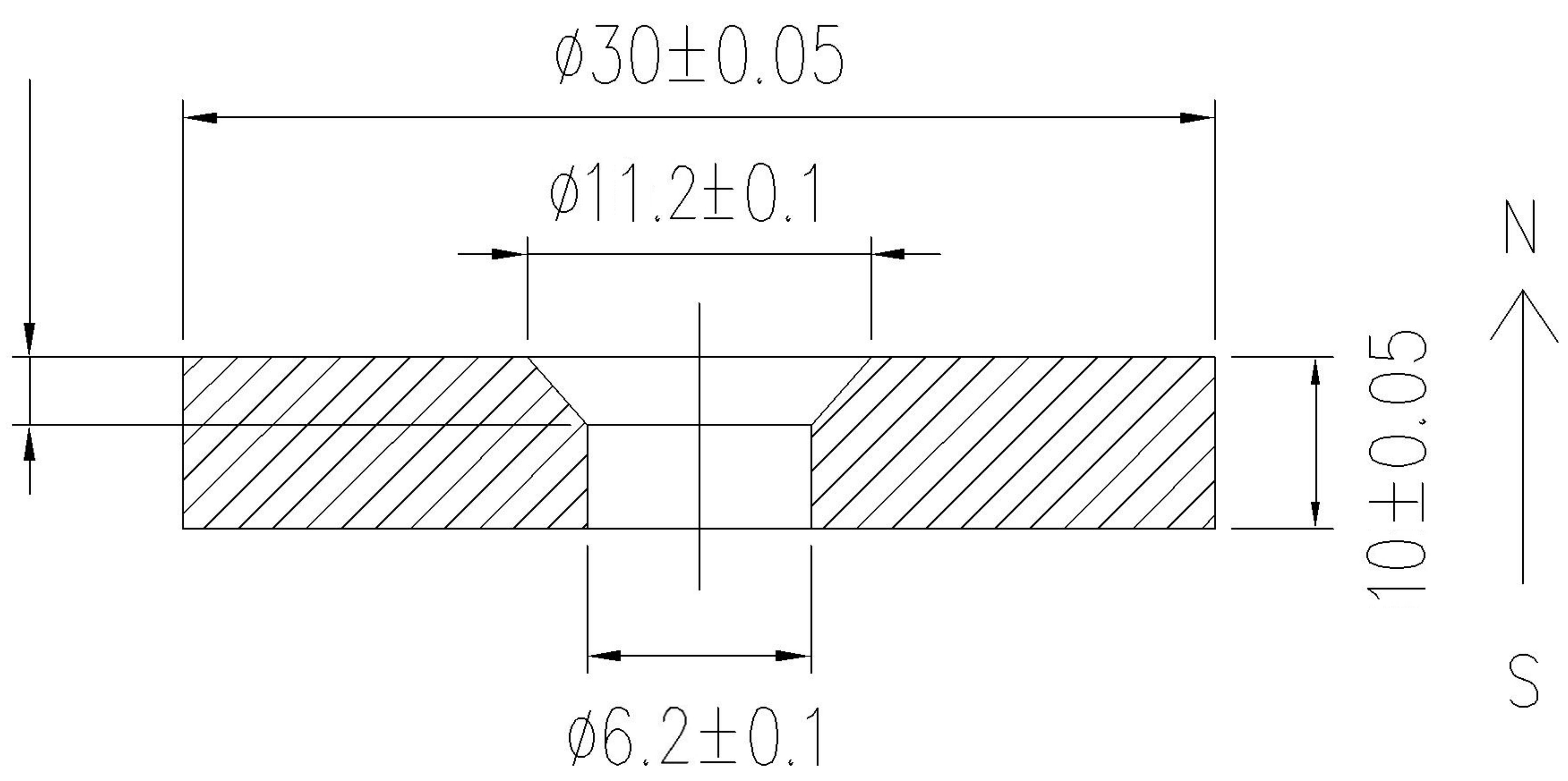


A-A



ITALFIT MAGNETI SRL			
NdFeB		N35	
		D30*10(D11.2/d6.2)	
		NORD	
		1:1	
NS01.30106N		NICUNI	