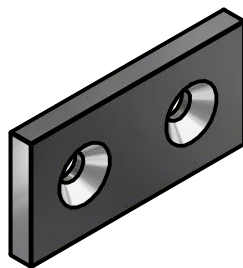
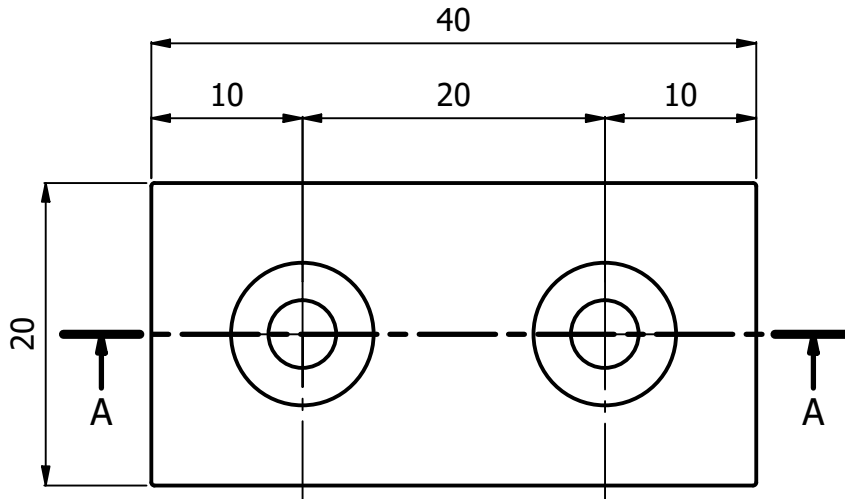
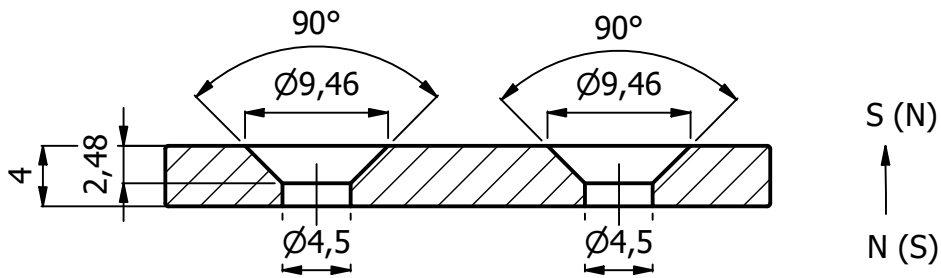



A-A (2 : 1)



All measures are in millimeters (mm)

Important note: this magnet has not a standard Ø4.3 countersink holes.

Author M.D.	Date 26/03/2019	Type	Surface Treatment Nickel coated	Material Neodymium	Measures tolerance: +/- 0.1 mm
			Description 2 countersink holes magnet - axially magnetized (N+S pole)		
			Code NQ03.35NI00.402044	Scale 2 : 1	Format A4
Via F. Comelli 39 33034 Fagagna UD - Tel. 0432 801675					